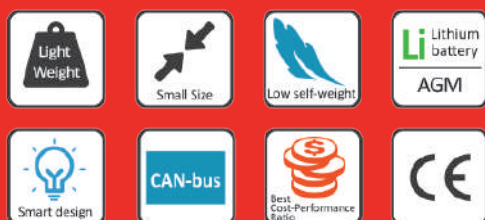


ALMALIFT

PSE 1229/1236 **litio**





AGM

PSExxB SL 2600lbs/1200kg Capacity

- Perfect for light-duty applications.
- Compact & light service weight
- High maneuverability
- Maintenance-free Lead-acid Battery
- Integrated on-board 12A charger
- Ideal for use on mezzanines



Li-ion

PSExxN SL 2600lbs/1200kg Capacity

- Perfect for light-duty applications.
- Compact & light service weight
- High maneuverability
- Fast-charging Li-ion batteries. Integrated on-board 25A charger
- Ideal for use on mezzanines
- Ultimate solution for light duty operations

Smart and Ergonomic Tillers



RFID Card Access is optional for PSExxB SL and standard for PSExxN SL

RFID card provides faster access to equipment and ideal for applications when one truck needs to be used by different operators



Vertical Driving in Confined Space



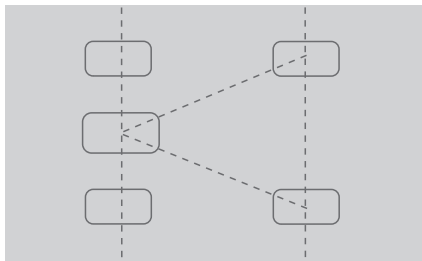
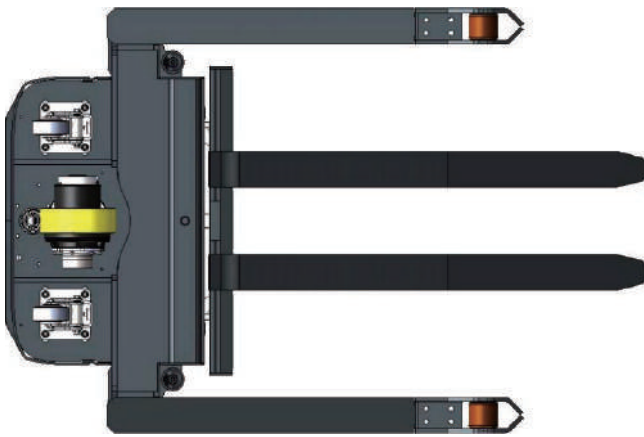
The function of driving with tiller in the **vertical position** helps with work in confined area without sacrificing of safety.

The tiller bar is supported by the air spring which helps to return the tiller to its vertical position without strike in the end point.

For increase of operation comfort and safety the trucks are equipped with speed reduction function in turns.



Great stability and safety with its 3-point structure design



Chassis with 3+2-pointstructure: 1x+2/2

- The drive wheel located in the middle for better traction and stability of the stacker.
- The support wheels with suspension are located from left and right sides and provide better lateral stability to the truck.
- Support straddle legs are equipped with single rollers.

Maintenance Friendly

Convenient and fast access to any component of the truck, no elements are located in areas difficult to reach. No Special tools are required.



Robustness and Perfect Observation



Steel cover
The main cover is made out of steel with thickness 2.0mm



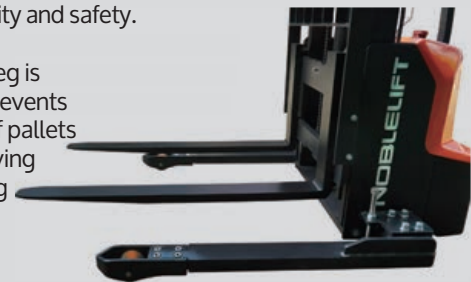
Tiller is made out of PA6 30% of glass fiber material, having high strength.

Capacity of 1200kg with high residual value at maximum height (load center distance 600 mm) Real mast profiles are used for long life-time, no cheap bended solutions used. All directed to maintain performance of the truck during its life-cycle.



Support legs are made out of solid steel (not tube) to have enough rigidity to ensure the stability and safety.

The width of each leg is consistent which prevents possible hooking of pallets and racks when driving out from the racking system.





Wide mast provides perfect observation of forks, the field of view is clear and not interrupted by mast sections, cylinder or chains.



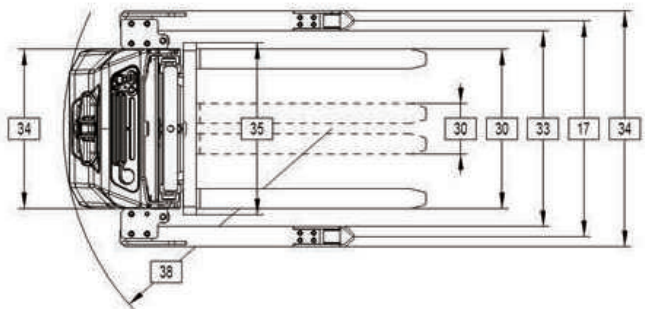
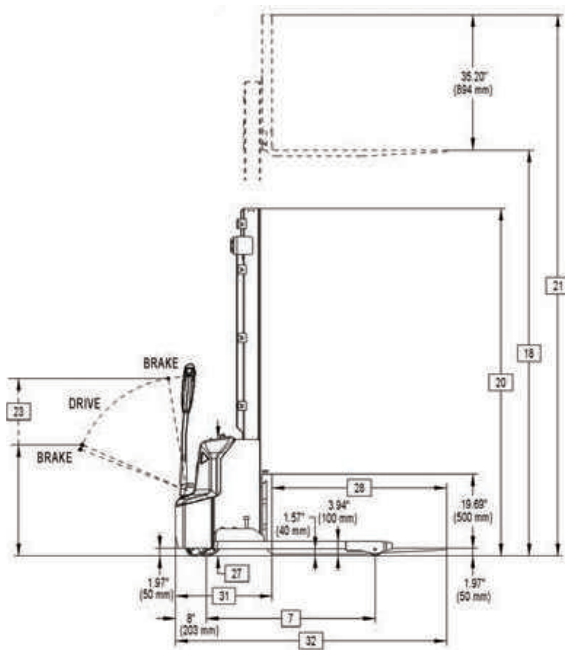
The operator can always clearly see the forks which significantly increases safety of operation.

Adjustment of support legs and forks

The support legs are fixed with screws located outside of the truck's body (4 screws for each side). The position can be easily adjusted according to the customer's needs to achieve the overall width of the truck: 46.5"/50.5"/54.5" 58.3".

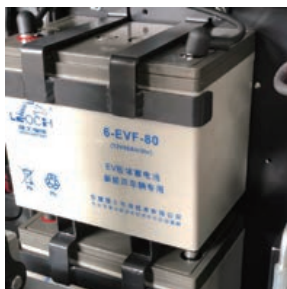
Forged forks are used for long life-time, width of forks is adjustable 9.9-31.5" The truck is equipped with LBR (load back rest) as standard equipment.





MAST TABLE PSE 12BSL/PSE 12NSL

Lift Height	mm	1600	2000	2600	2900	3200	3600
Collapsed Height	mm	1940	2340	1790	1940	2090	2290
Extended Height	w/o Load Backrest	mm	2100	2500	3100	3400	4100
	w/ Load Backrest	mm	2494	2894	3494	3794	4494



PSExxB SL

2x12 85Ah (5Hr) AGM maintenance free batteries are used. Optionally available 2x12 106Ah (5Hr).



For PSExxB SL the charger with current 12A is used. The standard charging time is 7 hours



PSExxN SL

24V 60Ah Lithium LiFePO4 battery with BMS. Lithium battery has connection terminals with screws and located inside the steel case



For PSExxN SL the charger with current 25A is used. The standard charging time is 2.5 hours. Opportunity charging is supported

The PSExxN SL stacker is equipped with maintenance-free 24V/60Ah LiFePO4 type Li-ion battery with fast charging and ultra-high number of charging /discharging cycles during life time; opportunity charging feature basically does not limit your operation time. The integrated BMS provides the same features as the BMS for the batteries of pallet trucks (refer to pallet truck section). The on-board charger with 25A current can provide full charge for less than 2.5 hours with great efficiency.

The PSExxB SL stacker is equipped with 2x12V 85Ah VRLA-AGM maintenance free batteries. Optionally available 2x12V 106Ah batteries for longer operation. The stacker is equipped with 12A on-board charger. The charging time is 7-8 hours, opportunity charging is not available.



PSE 1229/1236 litio

		IMPERIAL								METRIC						
General Information	Model	PSE26BSL / PSE26NSL								PSE12BSL / PSE12NSL						
	2	Mast Type	in mm	63	79	102	114	126	142	1600	2000	2600	2900	3200	3600	
3	Power										Electric					
4	Operator Type										Walkie					
5	Load Capacity	in kg	2600								1200					
6	Load Center	in mm	24								600					
7	Wheelbase	in mm	43.74								1111					
8	Weight Less Battery	lb kg	1421	1466	1587	1609	1631	1675	645	665	720	730	740	760		
Tires	13	Wheel Size Front (d x w)	in mm	8.27 x 2.76								210 x 70				
	14	Wheel Size Rear (d x w)	in mm	3.31 x 2.76								84 x 70				
	15	Additional Wheels Caster Wheel (d x w)	in mm	3.94 x 1.57								100 x 40				
	16	Wheels Number (x = driven)	Front / Rear									1x + 2 / 2				
	17	Track Width	in mm	Inside Straddle + 3.94								Inside Straddle + 100				
Dimensions	18	Lift Height	in mm	63	79	102	114	126	142	1600	2000	2600	2900	3200	3600	
	20	Collapsed Height	in mm	76.38	92.13	70.47	76.38	82.28	90.16	1940	2340	1790	1940	2090	2290	
	21	Extended Height	w/o Load Backrest	in mm	82.68	98.43	122.05	133.86	145.67	161.42	2100	2500	3100	3400	3700	4100
			w/ Load Backrest	in mm	98.19	113.94	137.56	149.37	161.18	176.93	2494	2894	3494	3794	4094	4494
	23	Tiller Arm Height in Drive Position	in mm	27.95 / 45.28								710 / 1150				
	24	Outrigger Height	in mm	3.94								100				
	25	Lowered Fork Height	in mm	1.97								50				
	27	Power Unit Height	in mm	29.92								760				
	28	Fork Lengths	in mm	45.28								1150				
	29	Fork Dimensions	Thickness x Width	in mm	1.57 x 3.94								40 x 100			
	30	Width Across Forks	in mm	9.92 - 31.50								252 - 800				
	31	Headlength	in mm	25.2								640				
	32	Overall Length	in mm									Headlength + Fork Length				
	33	Inside Straddle	in mm	38.62 / 42.56 / 46.50 / 50.43								981 / 1081 / 1181 / 1281				
	34	Overall Width	Front	in mm	31.5								800			
			Rear	in mm	Inside Straddle + 7.87								Inside Straddle + 200			
	35	Fork Carriage Width	in mm	33.27								845				
	36	Ground Clearance	w/ Load below Mast	in mm	1.57								40			
	37		Center Wheelbase	in mm	1.57								40			
	38	Turning Radius	in mm	52.95								1345				
39	Length w/ Outriggers	in mm	56.14								1426					
Performance	40	Travel Speed	w/ wo Load	mph km/h	2.61 / 2.80								4.2 / 4.5			
	41	Lift Speed	w/ wo Load	fpm/m/s	21.65 / 31.50								0.11 / 0.16			
	42	Lowering Speed	w/ wo Load	fpm/m/s	25.59 / 21.65								0.13 / 0.11			
	44	Max Gradeability	w/ wo Load	%									4 / 10			
	45	Service Brake										electromagnetic				
Battery	47	Battery Voltage (Nominal Capacity 5 Hour Rating)	2x12V Maintenance Free (PSE12BSL)	V / Ah									24 / 85			
			2x12V Maintenance Free (PSE12BSL,Option)	V / Ah									24 / 106			
			24V Lithium battery (PSE12NSL)	V / Ah									24 / 60			
	48	Type of Controller										DC speed Control				
	49	Battery Voltage (Nominal Capacity 5 Hour Rating)	2x12V Maintenance Free (PSE12BSL)		119								54			
2x12V Maintenance Free (PSE12BSL,Option)				150								68				
24V Lithium battery (PSE12NSL)				42								19				

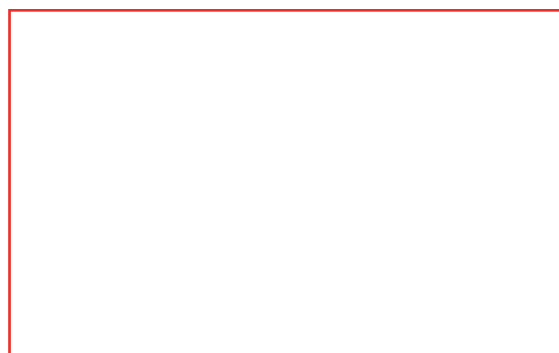
Note: English conversions are approximations. Metric conversions should be done to find true values.



ALMALIFT

Carrer de la Mare de Déu de Núria, 23 D.
08830 Sant Boi de Llobregat, Barcelona
Tel.: + 34 935 01 04 30. info@almalift.com

Distribuidor oficial



almalift.com